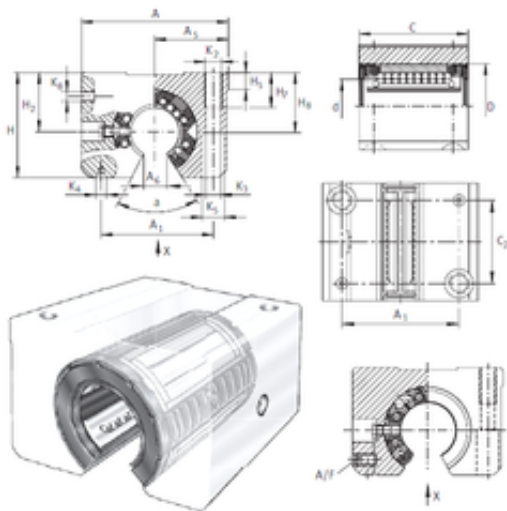


CBMA

Yung CBMA Spherical roller bearing...



KGSNOS12-PP-AS Bearing 2D drawings and 3D CAD models

Brand INA KGSNOS12-PP-AS linear-bearings

Bearing No. KGSNOS12-PP-AS

Bore Diameter	12 mm
Outer Diameter	22 mm
d	12 mm
D	22 mm
A6	7,6 mm
A/F	2,5 mm
H5	6,1 mm
H7	11 mm
H8	16,5 mm
K2	4,3 mm
K3	1,6 mm
K4	X3,35
K5	8 mm
Thread (K2)	M5
Thread (K8)	NIP 4 MZ
A5	21,5 mm
Angle (?)	78 °
A	43 mm
A1	32 mm
C	32 mm
H	28 mm
H2	18 mm
C2	23 mm
Weight	0,09 Kg
Basic dynamic load rating (C)	0,9 kN